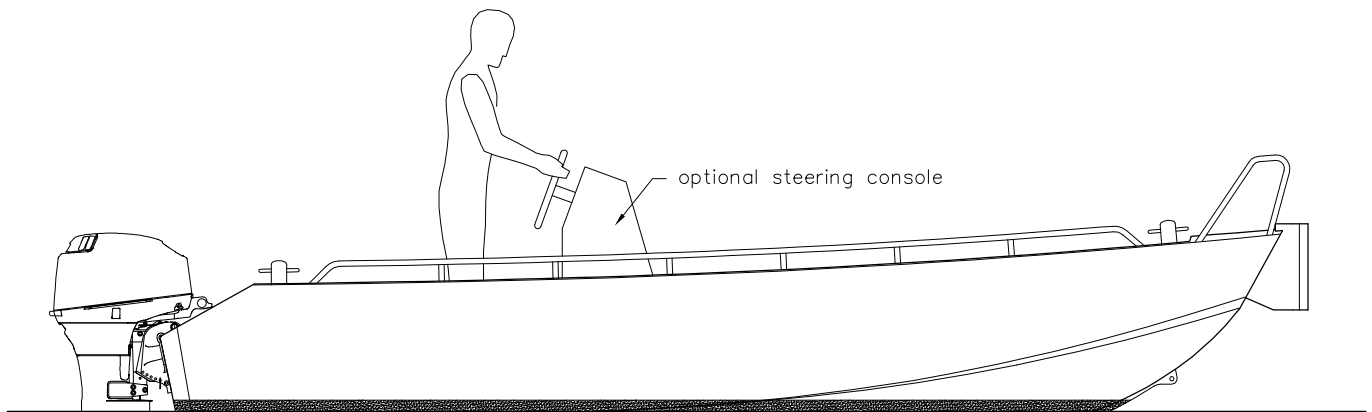


MULTIPURPOSE WORKBOAT

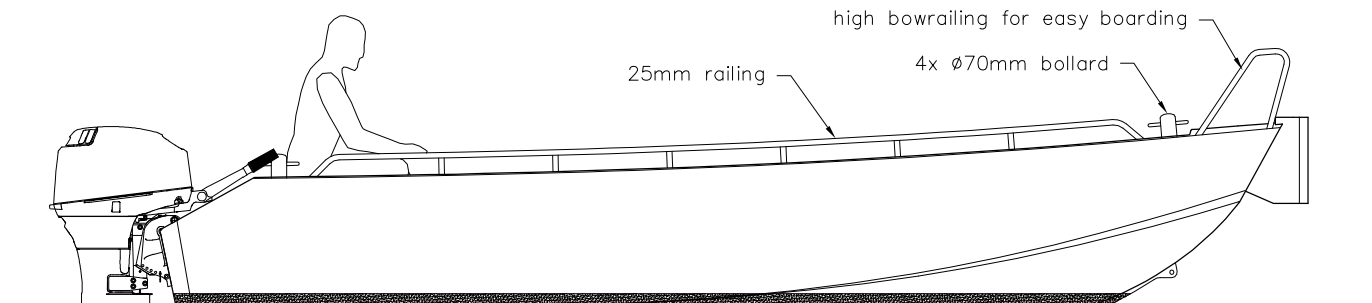
RAW 520

RIGID ALUMINUM WORKBOAT



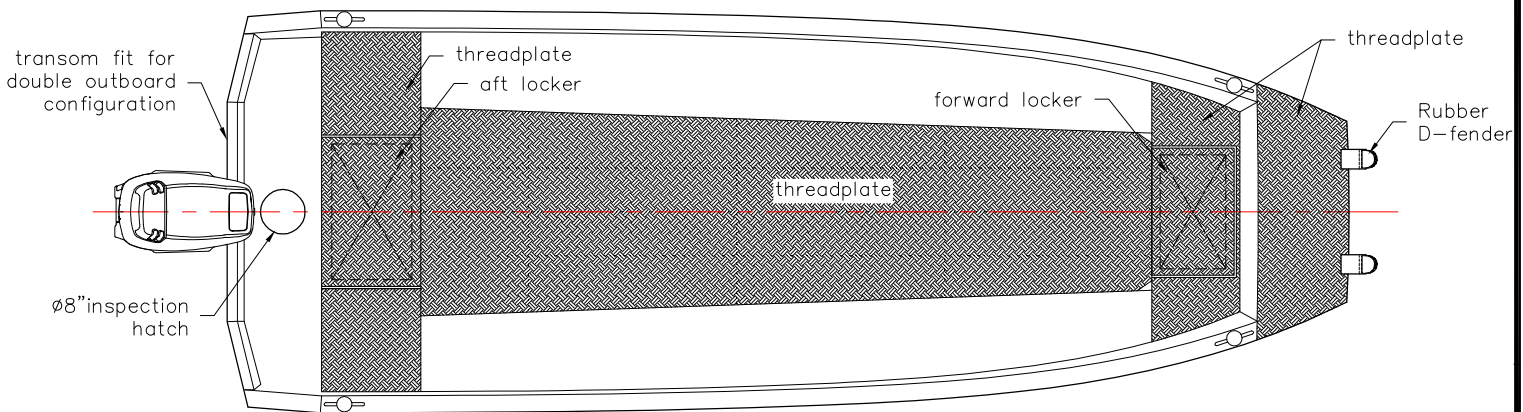
PROFILE VIEW

SCALE 1:25



PROFILE VIEW

SCALE 1:25



TOP VIEW

SCALE 1:25

Key aspects:

- Rigid Aluminum Workboat
- Low maintenance - seawater resistant alloy
- Standard build with non-skid threadplate
- Self-draining
- Watertight double bottom (practically unsinkable)
- Standard outfitted with double push bow
- Fit for double outboard engine mounting
- Multipurpose outfitting options
- Optional steering console

RAW 520

Principle dimensions

Length hull : 5,25 mtr
Beam hull : 1,85 mtr
Draft : 0,25 mtr

Approx. weight : 450 kg
Advised power : up to approx 70hp